



MILLS ÷FSAö

For the medium and fine grinding of tender and less abrasive materials, plastic products, dryfibrrosis or wet, having a humidity content lower than 35%.

Comminution and drying: two processes with a single device

The FSA mills are designed for the exercise with high temperature gas and therefore allow the drying of the material, partial or total, at humidity values of the product set.

Adjusting the particle size

FSA mills are equipped with particle static and dynamic classifiers pneumatically powered and armies in a closed circuit of comminution with recycle of ÷oversizeö material.

Main materials covered

Talc
Gypsum
Calcium oxide
Calcium hydrate
Magnesium carbonate
Magnesium hydroxide
Clays
Bentonite
Kaolin
Coal
Charcoal

MODEL	FLOW kg/h	POWER kW
10 F	100-4.000	15-90
10 S	2.000-6.000	55-160
10 W	6.000-15.000	160-250
15 F	150-6.000	22-160
15 S	3.000-9.000	75-200
15 W	9.000-22.000	250-350
20 F	200-8.000	30-180
20 S	4.000-12.000	110-350
20 W	12.000-30.000	300-500

Fields of application

Mining quarrying
Calcium
Ceramics
Chemistry
Food industry
Energy

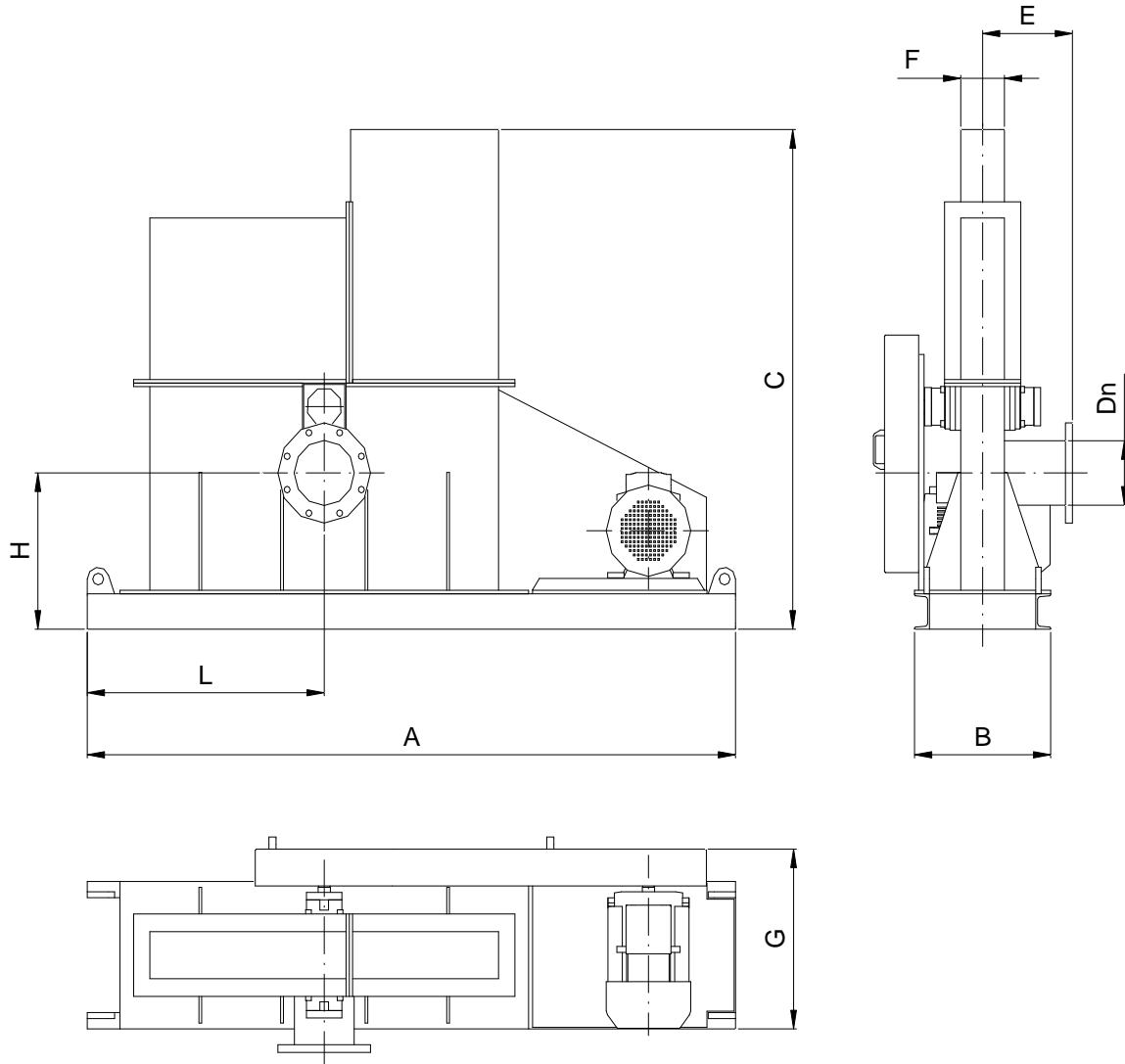




C.T.S. - Comminution Technology Systems Srl

Milan - ITALY

Tel. (+39) 02 89.35.60.24 Fax (+39) 02 89.35.60.25 email: infocts@ctsitaly.net



TYPE	OVERALL DIMENSIONS								
	A	B	C	Dn	E	F	G	H	L
FSA 10F	2400	500	1695	200	330	160	610	530	870
FSA 10S	2500	650	1695	200	400	310	760	530	870
FSA 10W	2600	800	1695	200	480	460	910	530	870
FSA 15F	3000	650	2200	300	400	310	760	780	1150
FSA 15S	3200	800	2200	300	480	460	910	780	1150
FSA 15W	3500	950	2200	300	550	610	1060	780	1150
FSA 20F	3200	800	2700	400	500	460	910	1050	1400
FSA 20S	3500	950	2700	400	575	610	1060	1050	1400
FSA 20W	4000	1250	2700	400	725	910	1360	1050	1400

Dimensioni in mm - Dimensions in mm
Dimensioni non impegnative - Dimensions not binding