

CLASSIFIERS ÷Wö

Classifiers ÷Wö are planned for the classification of fine and extra-fine particles.

Selection values ranging from 1000 microns to 5 microns.

Operation: air / gas pressure or depression running.

Load types:

-Mechanical ÷WMö SERIE (gravity by elevator)

-Pneumatic ÷WPö SERIE (by dispersion in the process fluid)



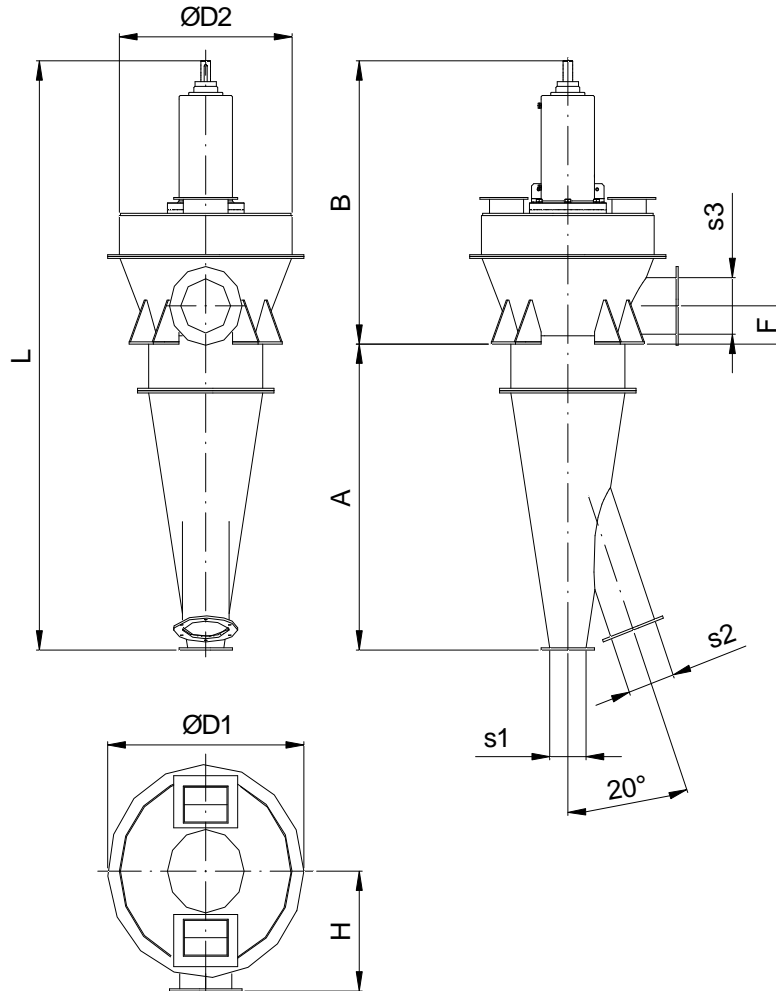
MODEL	INDICATIVE SOLID RANGE Kg/h	INDICATIVE FLUID RANGE m3/h	INDICATIVE POWER kW
2	15-30	180	0.55-1.1
4	120-200	700	2.2-5.5
6	200-400	2200	3-15
8	400-800	3000	4-18.5
10	800-1600	5000	4-18.5
12	1600-3200	8000	5.5-22
14	3200-6400	10000	5.5-22
16	6400-12800	12000	7.5-11
18	12800-18000	18000	11-22
20	18000-24000	26000	22-45
22	24000-36000	30000	22-45
24	35000-40000	40000	30-55
26	40000-50000	50000	45-75
28	50000-60000	60000	45-90
30	60000-80000	70000	55-110



C.T.S. - Comminution Technology Systems Srl

Milan - ITALY

Tel. (+39) 02 89.35.60.24 Fax (+39) 02 89.35.60.25 email: infocts@ctsitaly.net



TYPE	OVERALL DIMENSIONS									
	A	B	ØD1	ØD2	F	H	L	s1	s2	s3
W 2	330	305	250	205	40	130	635	40	50	80
W 4	660	610	450	405	85	260	1270	80	100	150
W 6	990	920	700	610	125	390	1910	125	170	200
W 8	1320	1225	920	810	165	520	2545	170	220	250
W 10	1650	1375	1150	1010	210	650	3025	200	250	350
W 12	1980	1520	1400	1215	250	780	3500	250	350	400
W 14	2310	1815	1600	1420	290	910	4125	300	400	450
W 16	2640	1960	1850	1620	330	1040	4420	350	450	500
W 18	2970	2105	2100	1820	380	1170	5075	400	500	600
W 20	3300	2450	2300	2025	410	1300	5750	450	550	650
W 22	3630	2595	2500	2225	450	1430	6225	500	600	700
W 24	3960	2740	2750	2430	495	1560	6700	550	650	750
W 26	4290	2885	3000	2630	540	1690	7175	600	700	800
W 28	4620	3030	3250	2835	580	1820	7650	650	750	900
W 30	4950	3175	3500	3035	620	1950	8125	700	850	1000

Dimensioni in mm - Dimensions in mm
Dimensioni non impegnative - Dimensions not binding